

STATUS: OCT 2023



engine management



**kdFi V1.4 PNP AGU/AEB**  
R 07



<https://download.k-data.org>

On the website, you will find the latest information and documentation.

**USER MANUAL: ENGLISH**

**WWW.K-DATA.ORG**

# CONTENT

## 1. INTRODUCTION

## 2. SCOPE OF DELIVERY

## 3. SOFTWARE

- 3.1. USB Driver
- 3.2. Tunerstudio

## 4. CONNECTION

- 4.1. Cable Types
- 4.2. Fuses
- 4.3. USB Port
- 4.4. Assignment of the Additional Terminals

## 5. COMMISSIONING

- 5.1. LEDs
- 5.2. Speed Measurement
- 5.3. Sensors
- 5.4. Throttle Potentiometer
- 5.5. Digital Input
- 5.6. Table Switch
- 5.7. Barometric Correction
- 5.8. Tacho Output
- 5.9. Idle Speed Controller
- 5.10. Ignition
- 5.11. Injection
- 5.12. Relay Output/Boost Pressure Control
- 5.13. CAN Bus

## 6. BASIC PCB

## 7. WIDEBAND LAMBDA CONTROLLER

## 8. FIRMWARE UPDATES

# 1. INTRODUCTION

## Engine Management



**Numerous motorsport features can be realised with our programmable Engine Management:**

- optimize the engine tuning in case of modifications, such as the installation of a turbo, adapt different injectors, camshafts or open intake manifold
- adjust the fuel quantity and ignition timing as desired
- make an individual adjustment to different fuels
- regulate the boost pressure according to your own needs
- directly evaluate the LSU 4.2 wideband lambda sensor
- use motorsport functions such as Launch Control, Anti-Lag, etc.
- parametrize camshaft adjustment
- program your own functions

The existing wiring harness including OEM sensors can be used without changes. Individual tuning through targeted intervention in the parameters of the engine control bring more driving pleasure!

This allows you to exploit the full potential of the engine.

## 2. SCOPE OF DELIVERY

- kdFi V1.4 device ready for use
- User manual
- USB Cable
- Plug set

## 3. SOFTWARE

**It is recommended installing the software from the starting menu before connecting the kdFi for the first time.**

### 3.1. USB Driver

You will find the USB driver of the FTDI Company in the directory "USB". It is the FTDI232 Chip. The Chip simulates a serial RS232 connection which you can use in 2 ways:

1. Tunerstudio – Communications – Settings: RS232, COM-port, 115200 Baud
2. Tunerstudio – Communications – Settings: FTDI-D2XX, Auto, 115200 Baud

### 3.2. Tunerstudio

For tuning we recommend using the software "Tunerstudio" available on the Internet under: [www.tunerstudio.com](http://www.tunerstudio.com). You will find the corresponding manual on the website of the manufacturer.

All settings can be adjusted with the „free“ version. For DIY tuning we recommend the registered version, because of it´s comfort features. We do not offer Tunerstudio registration codes. Please buy direct at [www.tunerstudio.com](http://www.tunerstudio.com)

## 4. CONNECTION

To establish a communication the kdFi must be supplied with 12V.

### 4.1. Cable Types Recommended Cable Types

Supply:	min 1.5 mm <sup>2</sup>	Ignition:	min 1.5 mm <sup>2</sup>
Injection:	min 1.0 mm <sup>2</sup>	VR sensor:	min 0.5 mm <sup>2</sup> , shielded
Sensors:	min 0.5 mm <sup>2</sup>	Others:	min 0.75 mm <sup>2</sup>

### 4.2. Fuses

The kdFi must be fused externally.

The amperage rating of the fuse must not exceed the maximum allowable amperage of the cable.

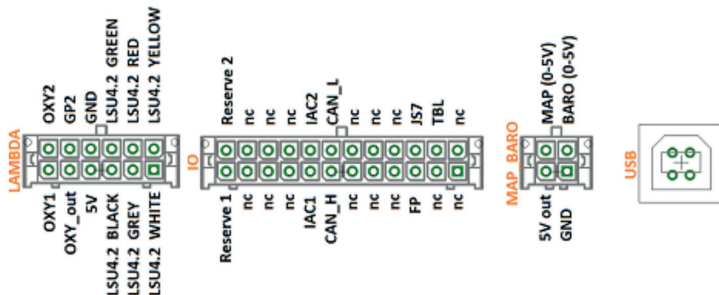
### 4.3. USB Port

The USB chip is „USB powered“ up to the galvanic isolation in order to be able to re-establish a connection more quickly in the event of a reset of the ECU.

Each standard USB A-B cable can be used as connection cable.

### 4.4. Assignment of the Additional Terminals

The programmable inputs/outputs of the kdFi are connected with the corresponding extension circuitry on the PCB.



#### Caution:

„IAC1“ can be used as relay output and as PWM output.

„IAC2“ is used for the boost pressure control valve.

Switching current max. 2 amps.

## 5. COMMISSIONING

### 5.1. LEDs

Description	Colour	Function
LD1	red	Connection error
LD2	green	Power supply OK
LD3	yellow	Data packet from USB to MS2
LD4	green	Data packet from MS2 to USB
LD5	blue	Ignition pulse A
LD6	blue	Ignition pulse B
LD7	blue	Ignition pulse C
LD8	blue	Ignition pulse D
LD9	blue	Ignition pulse E
LD10	blue	Ignition pulse F
LD11	red	Wideband controller error
LD12	green	Wideband controller LED on: Stand-by
LD12	green	Wideband controller LED flashing slowly: operation
LD12	green	Wideband controller LED flashing fast: Heat sensor

The LEDs LD5 to LD10 may also have other functions according to the software. They depend on the customer's settings.

### 5.2. Speed Measurement

#### VR Sensor

Engines covered by this manual use a VR sensor at the crankshaft. An AC voltage is induced in the coil of the VR sensor by a metal wheel with 60-2 teeth.

A specialised component performing an auto-adaptation to the different sensors is integrated in the kdFi V1.4.

The camshaft signal is not used because the engine runs with “wasted spark” and “grouped injection”.

### 5.3. Sensors

The factory settings of kdFi are adapted to OEM sensors. A separate calibration of the sensors is possible via software.

### 5.4. Throttle Potentiometer

The engines in this manual are factory equipped with a throttle potentiometer which is used with the kdFi. The corresponding calibration is done via “Tools” – “Calibrate TPS”. The throttle position sensor can be omitted when using the MAP sensor, but should be used for acceleration enrichment.

+5V and GND are connected to the outer pins of the potentiometer. The voltage relating to the throttle position is tapped via the sliding contact and connected to the input TPS (Throttle Position Sensor). The covered distance of the potentiometer may be longer than the rotation of the throttle axle.

### 5.5. Digital Input

There is a digital input that can be used for example as “Launch Control”. The corresponding function has to be defined in Tunerstudio.

Input: **JS7**

### 5.6. Table Switch

Via the input „TBL“, a second set of parameters can be activated in the controller. With a switch setting the input to ground, you can switch between two stored ignition and injection maps. This is useful for various tunings such as road/racing, petrol/LPG, petrol/E85 etc.

Input: **PE1**

**Connecting to a higher voltage than 5V will damage the processor of the kdFi.  
Digital inputs must only be connected to ground for activation.**

## 5.7. Barometric Correction

For using the constant barometric correction there must be connected a second absolute pressure transmitter (MPX4250) at the back side that is not installed ex works.

The option “Barometric Correction” has to be adjusted in Tunerstudio “Basic Settings” – „General Settings“.

Input: **JS4**

When using an external 3 bar sensor, DIP switch 1 is set to „off“.

The internal sensor can then be used as an altitude correction sensor by activating DIP switch 2 „int MAP for BARO“. (not available on all board revisions).

## 5.8. Tacho Output

The output “JS10” is provided for standard tachometers. It has been activated in the software “Basic Settings” – “Tacho Output”. “JS10” has already been selected as “Output Pin”. Don’t change these settings!

## 5.9. Idle Speed Controller

The standard idle actuator is still used. The settings can be found under „Startup/idle“.

If you do not use the idle control, set the PWM control to 0 instead of deactivating the idle control.

## 5.10. Ignition

The kdFi V1.4 controls the ignition coils via the standard ignition module.

To use active ignition coils such as those from the TFSI, please refer to our „Ignition Coils Conversion sheet“ which can be downloaded from our product website.



## 5.11. Injection

With the kdFi the injectors are controlled in groups. Please change the values below only if it is really necessary.

We generally recommend only high impedance injectors. (around 12 – 16 Ohm)

### **Attention:**

**The kdFi V1.4 hardware controls the current of the injectors, so PWM Current Limit always needs to be set to 100%, also on low impedance injectors. If low impedance injectors are used 1 output can handle only 1 injector.**

## 5.12. Relay Output/Boost Pressure Control

„IAC1“ can be used as relay output and as PWM output.

„IAC2“ is used for the boost pressure control valve.

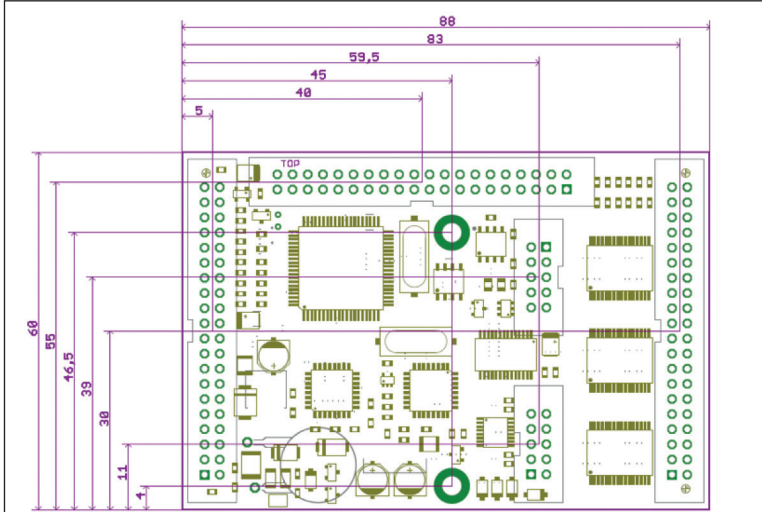
Switching current max. 2 amps.

## 5.13. CAN Bus

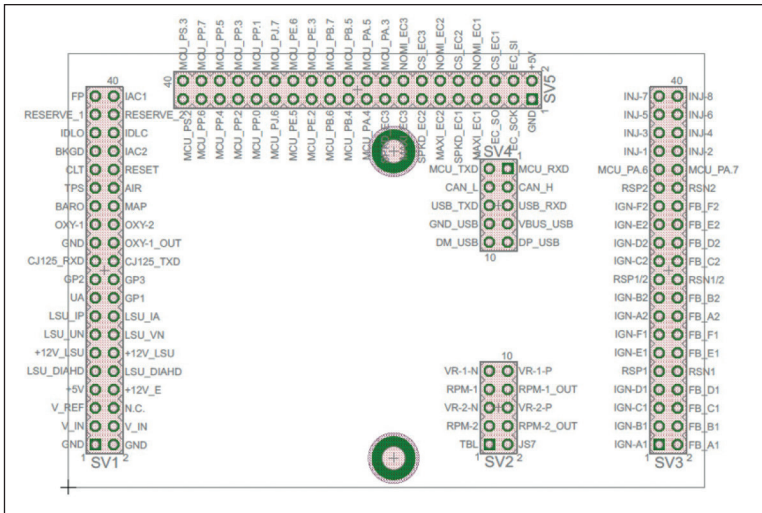
Like for the Megasquirt 2 the CAN Bus is equipped concerning the hardware, but must - if desired - still be set accordingly by the user. For further information on this item please read the respective Megasquirt/MSextra websites on the internet.

## 6. BASIC PCB

Dimensions:



Assignment:



## Pinout:

Con	Pin	Signalname	Description	Typ Application	I/O	Type
SV1	1	GND	Power In (Ground)	Main GND	I	
SV1	2	GND	Power In (Ground)	Main GND	I	
SV1	3	V_IN	Power In (12V)	12V Ignition on	I	
SV1	4	V_IN	Power In (12V)	12V Ignition on	I	
SV1	5	V_REF	REF Out			
SV1	6	-	Not Connected		nc	
SV1	7	+5V	+5V Out for sensors and circuits		O	
SV1	8	+12V_E	+12V Out sensors and circuits		O	
SV1	9	LSU_DIAHD	Lambda-Sensor Heat PWM	LSU 4.2 grau		
SV1	10	LSU_DIAHD	Lambda-Sensor Heat PWM	LSU 4.2 grau		
SV1	11	+12V_LSU	Lambda-Sensor Heat +12V	LSU 4.2 weiß		
SV1	12	+12V_LSU	Lambda-Sensor Heat +12V	LSU 4.2 weiß		
SV1	13	LSU_UN	Lambda-Sensor Signal UN	LSU 4.2 schwarz		
SV1	14	LSU_VM	Lambda-Sensor Signal VM	LSU 4.2 gelb		
SV1	15	LSU_IP	Lambda-Sensor Signal IP	LSU 4.2 rot		
SV1	16	LSU_IA	Lambda-Sensor Signal IA	LSU 4.2 grün		
SV1	17	UA	Lambda Amplifier Out		nc	
SV1	18	GP1	I/O-Port ATmega8		I	TTL
SV1	19	GP2	Start Lambdacontroller		I	TTL
SV1	20	GP3	I/O-Port ATmega8		I	TTL
SV1	21	CJ125_RXD	RS232-Interface to CJ125			TTL
SV1	22	CJ125_TXD	RS232-Interface to CJ125			TTL
SV1	23	GND	Ground for Pin 24	GND		
SV1	24	OXY-1_OUT	Wideband Sensor Output	SV1-25	O	0-5V
SV1	25	OXY-1	Analogsignal OXY 1	Lambdasensor 1	I	0-5V
SV1	26	OXY-2	Analogsignal OXY 2	Lambdasensor 2	I	0-5V
SV1	27	BARO	Analogsignal BARO	Barometric Sensor	I	0-5V
SV1	28	MAP	Analogsignal MAP	Map Sensor	I	0-5V
SV1	29	TPS	Analogsignal TPS	Throttle Position	I	0-5V
SV1	30	AIR	Analogsignal AIR	Airtemp Sensor	I	Resistor
SV1	31	CLT	Analogsignal CLT	Coolant Sensor	I	Resistor
SV1	32	RESET	Signal Reset Low-Active		nc	
SV1	33	BKGD	Signal Background Interface Pin		nc	
SV1	34	IAC1	Signal IAC1 (e.g. RPM in Instr. cluster)		O	
SV1	35	IDLO	Idle Valve Open		O	switched GND
SV1	36	IDLC	Idle Valve Close		O	switched GND
SV1	37	RESERVE_1	Reserve 1		nc	
SV1	38	RESERVE_2	Reserve 2		nc	
SV1	39	FP	Fuel Pump		O	switched GND
SV1	40	IAC2	Signal IAC2		O	

Con	Pin	Signalname	Description	Typ Application	I/O	Type
SV2	1	TBL	Signal TBL		I	TTL
SV2	2	JS7	Signal JS7		I	TTL
SV2	3	RPM-2	Signal RPM-Sensor 2	SV2-4	I	
SV2	4	RPM-2_OUT	RPM-Sensor_2 Output	SV2-3	O	
SV2	5	VR-2-N	Cam Signal Negative	VR Sensor	I	
SV2	6	VR-2-P	Cam Signal Positive	VR Sensor	I	
SV2	7	RPM-1	Signal RPM-Sensor 1	SV2-8	I	
SV2	8	RPM-1_OUT	RPM-Sensor_1 Output	SV2-7	O	
SV2	9	VR-1-N	Crank Signal Negative	VR Sensor	I	
SV2	10	VR-1-P	Crank Signal Positive	VR Sensor	I	
Con	Pin	Signalname	Description	Typ Application	I/O	Type
SV3	1	IGN-A1	Ignition_A1	Gate IGBT	O	
SV3	2	-	do not connect	Collector IGBT	I	
SV3	3	IGN-B1	Ignition_B1	Gate IGBT	O	
SV3	4	-	do not connect	Collector IGBT	I	
SV3	5	IGN-C1	Ignition_C1	Gate IGBT	O	
SV3	6	-	do not connect	Collector IGBT	I	
SV3	7	IGN-D1	Ignition_D1	Gate IGBT	O	
SV3	8	-	do not connect	Collector IGBT	I	
SV3	9	GND	Ground	GND		
SV3	10	GND	Ground	GND		
SV3	11	IGN-E1	Ignition_E1	Gate IGBT	O	
SV3	12	-	do not connect	Collector IGBT	I	
SV3	13	IGN-F1	Ignition_F1	Gate IGBT	O	
SV3	14	-	do not connect	Collector IGBT	I	
SV3	15	IGN-A2	Ignition_A2	Gate IGBT	O	
SV3	16	-	do not connect	Collector IGBT	I	
SV3	17	IGN-B2	Ignition_B2	Gate IGBT	O	
SV3	18	-	do not connect	Collector IGBT	I	
SV3	19	GND	Ground	GND		
SV3	20	GND	Ground	GND		
SV3	21	IGN-C2	Ignition_C2	Gate IGBT	O	
SV3	22	-	do not connect	Collector IGBT	I	
SV3	23	IGN-D2	Ignition_D2	Gate IGBT	O	
SV3	24	-	do not connect	Collector IGBT	I	
SV3	25	IGN-E2	Ignition_E2	Gate IGBT	O	
SV3	26	-	do not connect	Collector IGBT	I	
SV3	27	IGN-F2	Ignition_F2	Gate IGBT	O	
SV3	28	-	do not connect	Collector IGBT	I	
SV3	29	GND	Ground	GND		
SV3	30	GND	Ground	GND		
SV3	31	MCU_PA.6	Signal MCU_PA.6		nc	
SV3	32	MCU_PA.7	Signal MCU_PA.7		nc	
SV3	33	INJ-1	Injector_1	Ground Injector	O	
SV3	34	INJ-2	Injector_2	Ground Injector	O	
SV3	35	INJ-3	Injector_3	Ground Injector	O	
SV3	36	INJ-4	Injector_4	Ground Injector	O	
SV3	37	INJ-5	Injector_1	Ground Injector	O	
SV3	38	INJ-6	Injector_2	Ground Injector	O	
SV3	39	INJ-7	Injector_3	Ground Injector	O	
SV3	40	INJ-8	Injector_4	Ground Injector	O	

Con	Pin	Signalname	Description	Typ Application	I/O	Type
SV4	1	MCU_RXD	RS232-Interface to MC9S12C64	SV4-6		
SV4	2	MCU_TXD	RS232-Interface to MC9S12C64	SV4-5		
SV4	3	CAN_H	CAN-BUS-Interface to MC9S12C64			
SV4	4	CAN_L	CAN-BUS-Interface to MC9S12C64			
SV4	5	USB_RXD	RS232-Interface to FT232R (Optocoupler)	SV4-2		
SV4	6	USB_TXD	RS232-Interface to FT232R (Optocoupler)	SV4-1		
SV4	7	VBUS_USB	USB-Interface	USB red		
SV4	8	GND_USB	USB-Interface	USB black		
SV4	9	DP_USB	USB-Interface	USB green		
SV4	10	DM_USB	USB-Interface	USB white		
Con	Pin	Signalname	Description	Typ Application	I/O	Type
SV5	1	GND	Power		nc	
SV5	2	+5V	Power		nc	
SV5	3	EC_SCK	SPI Bus		nc	
SV5	4	EC_SI	SPI Bus		nc	
SV5	5	EC_SO	SPI Bus		nc	
SV5	6	-	do not connect		nc	
SV5	7	-	do not connect		nc	
SV5	8	-	do not connect		nc	
SV5	9	-	do not connect		nc	
SV5	10	-	do not connect		nc	
SV5	11	-	do not connect		nc	
SV5	12	-	do not connect		nc	
SV5	13	-	do not connect		nc	
SV5	14	-	do not connect		nc	
SV5	15	-	do not connect		nc	
SV5	16	-	do not connect		nc	
SV5	17	-	do not connect		nc	
SV5	18	MCU_PA.3	Signal MCU_PA.3		nc	
SV5	19	MCU_PA.4	Signal MCU_PA.4		nc	
SV5	20	MCU_PA.5	Signal MCU_PA.5		nc	
SV5	21	MCU_PB.4	Signal MCU_PB.4		nc	
SV5	22	MCU_PB.5	Signal MCU_PB.5		nc	
SV5	23	MCU_PB.6	Signal MCU_PB.6		nc	
SV5	24	MCU_PB.7	Signal MCU_PB.7		nc	
SV5	25	MCU_PE.2	Signal MCU_PE.2		nc	
SV5	26	MCU_PE.3	Signal MCU_PE.3		nc	
SV5	27	MCU_PE.5	Signal MCU_PE.5		nc	
SV5	28	MCU_PE.6	Signal MCU_PE.6		nc	
SV5	29	MCU_PJ.6	Signal MCU_PJ.6		nc	
SV5	30	MCU_PJ.7	Signal MCU_PJ.7		nc	
SV5	31	MCU_PP.0	Signal MCU_PP.0		nc	
SV5	32	MCU_PP.1	Signal MCU_PP.1		nc	
SV5	33	MCU_PP.2	Signal MCU_PP.2		nc	
SV5	34	MCU_PP.3	Signal MCU_PP.3		nc	
SV5	35	MCU_PP.4	Signal MCU_PP.4		nc	
SV5	36	MCU_PP.5	Signal MCU_PP.5	Bootloader	nc	
SV5	37	MCU_PP.6	Signal MCU_PP.6		nc	
SV5	38	MCU_PP.7	Signal MCU_PP.7		nc	
SV5	39	MCU_PS.2	Signal MCU_PS.2		nc	
SV5	40	MCU_PS.3	Signal MCU_PS.3		nc	

## 7. WIDEBAND LAMBDA CONTROLLER

The integrated lambda controller is activated by connecting the input „GP2“ to ground. This can be done continuously with a bridge as the kdFi is only powered as long as the ignition is turned on. In the connector plug, the signal from OXY\_out must be connected to the input OXY1. Our connection cable already has the necessary connections.

The measurement signal is output to OXY\_out in form of a 0-5V signal and corresponds to the **PLX signal 0-5V = AFR10-AFR20**. This characteristic is stored in Tunerstudio and has already been loaded during the test of the control device. After a firmware update this characteristic but must be loaded again.

We highly recommend to use only following setting:

**Tunerstudio Settings: EGO Control - Algorithm: Simple**

unless you exactly know what you are doing. PID Setting is the main cause for lambda problems.

In case of problems with your Lambda reading do not contact us before you tried Algorithm „Simple“.



## 8. FIRMWARE UPDATES

Firmware updates are always performed at your own risk. It may happen that the existing firmware is deleted by disconnections or incompatible computers/software and it can only be reloaded via a BDM interface. We offer this service, but it is not covered by warranty!

Tunerstudio must be closed during the firmware update to prevent access conflicts. The ignition coils must be disconnected during the firmware update, until the appropriate configuration has been reloaded via MSQ file.

In the case of major version jumps, the MSQ file must be created again. Please read the documentation of your new firmware!

More Power with  
Hightech and Know-how!



WWW.K-DATA.ORG